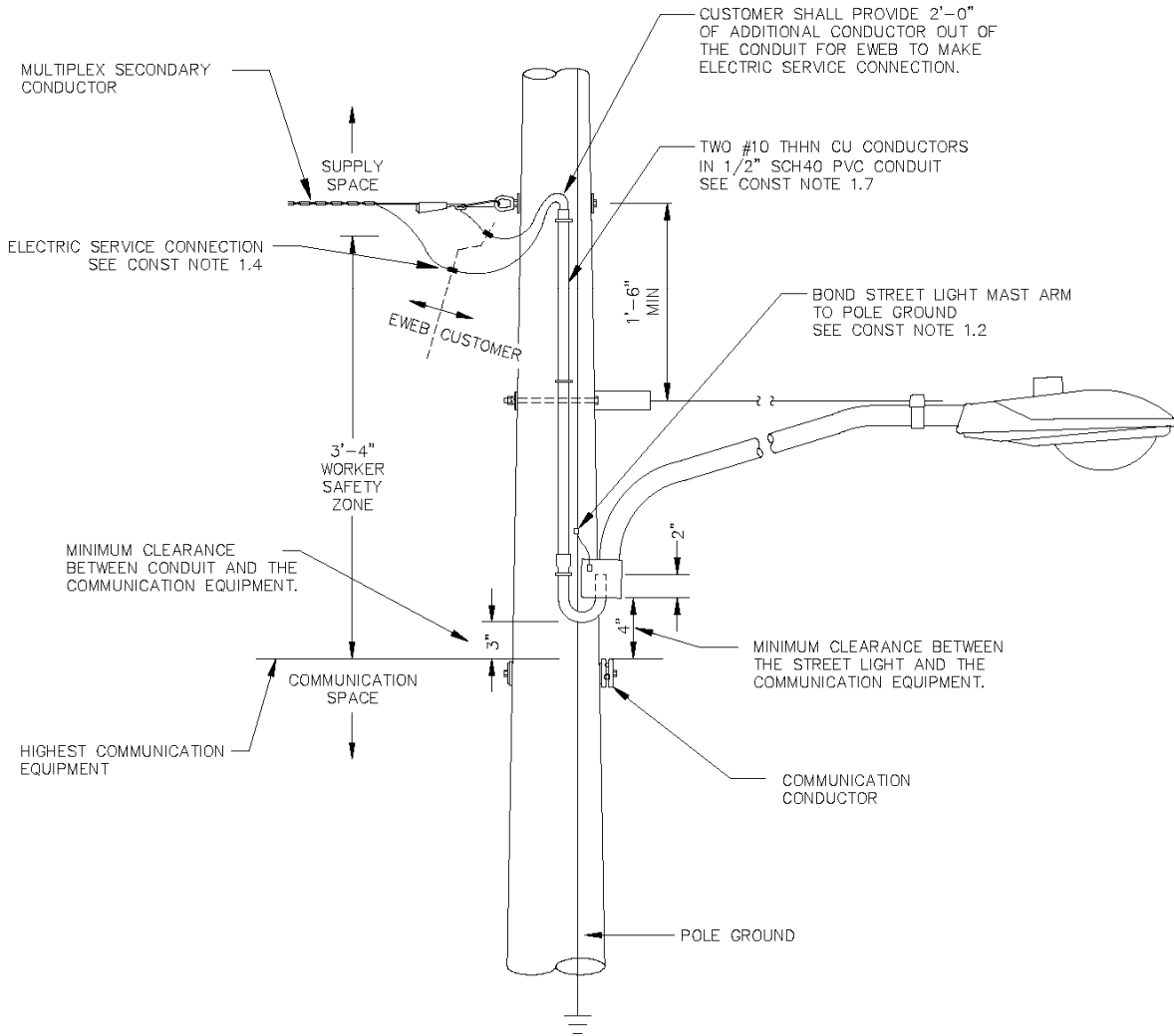


POLE REQUIREMENTS FOR STREET LIGHT

MAST ARM LENGTH	MIN EWEB POLE CLASS
6 FT	CLASS 5
8 FT -10 FT	CLASS 4
12 FT -14 FT	CLASS 3
16 FT	CLASS 2



REQUIREMENTS FOR
STREETLIGHTS MOUNTED IN
THE WORKER SAFETY ZONE

DISTRIBUTION CONSTRUCTION STANDARD
EUGENE WATER & ELECTRIC BOARD - EUGENE, OREGON

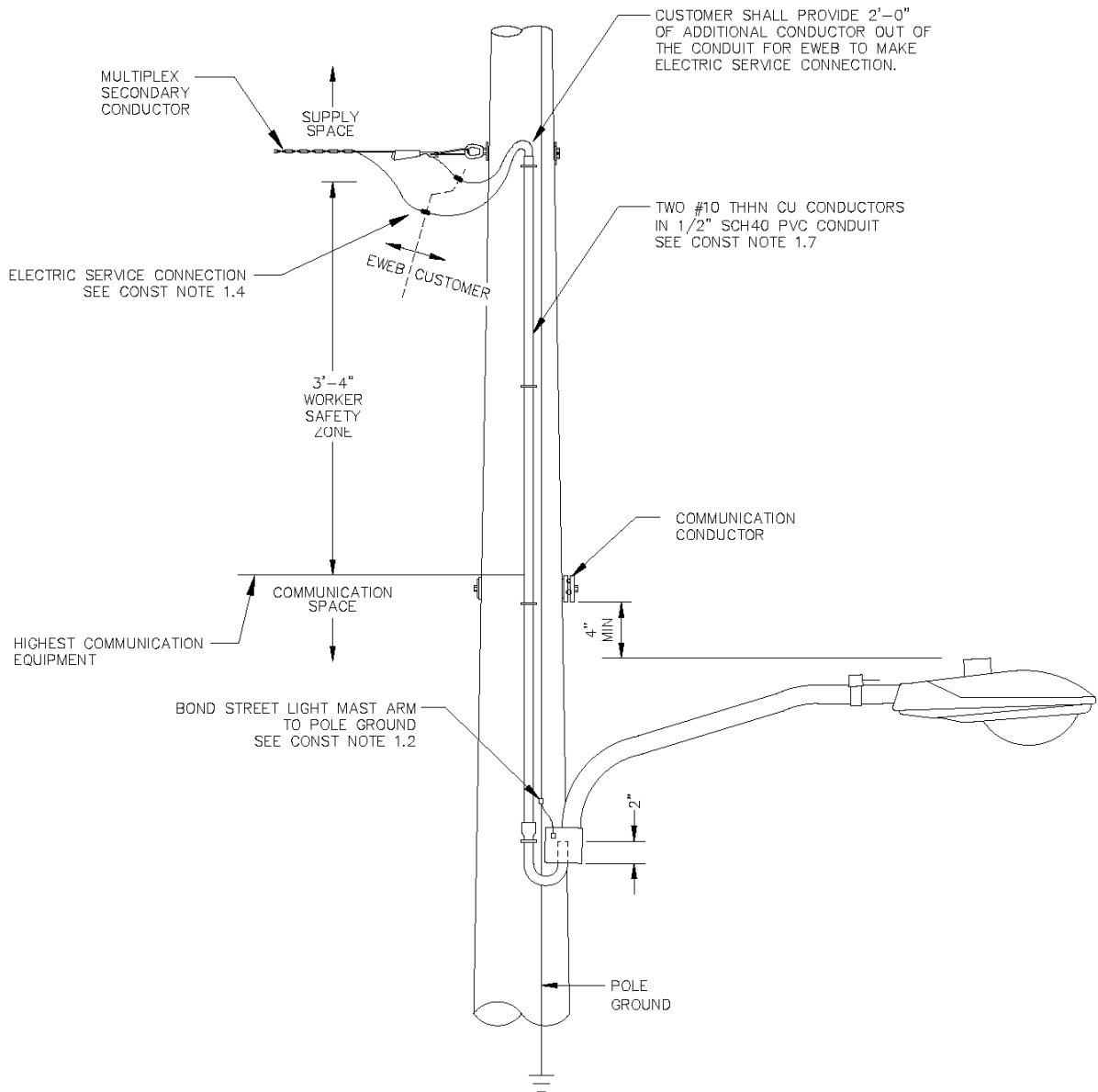
STREET LIGHT INSTALLATION REQUIREMENTS

Approved Nov 8, 2022

EC6-1.1000

Page 2 of 5

REV
1



REQUIREMENTS FOR
STREETLIGHTS MOUNTED IN
THE COMMUNICATION SPACE

DISTRIBUTION CONSTRUCTION STANDARD
EUGENE WATER & ELECTRIC BOARD - EUGENE, OREGON

STREET LIGHT INSTALLATION REQUIREMENTS

Approved Nov 8, 2022

EC6-1.1000

Page 3 of 5

**REV
1**

CONSTRUCTION NOTES

- 1.1 Any worker installing or performing maintenance on street light equipment shall be qualified to perform the work per OSHA 1910.332 and shall be an employee of a licensed electrical contractor. The worker's employer shall be responsible for ensuring worker meets these qualifications.
- 1.2 Mast arms shall be bonded to the pole ground or primary (system) neutral. If neither are present, the mast arm shall be bonded to the secondary service neutral. For connection to the #4 copper pole ground, use a bronze bolted compression connector, Hubbell GC-5004, or equal. If street light mast arm does not have a bonding terminal, provide a bronze ground clamp around the mast arm, Burndy C22, or equal.
- 1.3 On poles shorter than 50 ft. the mast arm guy rod may be installed above the neutral as shown, provided pole climbing space is maintained.
- 1.4 A drip loop may extend into the worker safety zone provided a minimum clearance of 12" is maintained between the lowest point of the drip loop and the highest communication equipment. Connections to the secondary conductors shall be insulated compression connectors, Burndy ES4W8W, or equal, or bare metal compression connector, Burndy YPC2A8U, or equal. The bare metal connector shall be insulated with tape after installation.
- 1.5 For all new construction, EWEB shall only allow a mast arm with a single guy rod and a single polemount bracket on a EWEB pole. When correcting NESC code violations or for pole replacements, unapproved style mast arms will not be allowed to be transferred over to the new EWEB pole.
- 1.6 Only a single mast arm polemount bracket with no mast arm guy rod will be allowed to be installed in the Communication Space.
- 1.7 Conduit for street light conductors shall be located on pole so as not to obstruct climbing space. Conduit shall be attached to pole with straps spaced no more than 18 inches apart. A conduit support strap shall be installed below the bell end of the conduit elbow near the street light mast arm.
- 1.8 EWEB reserves the right to transfer an existing street light to a new pole during a pole replacement and bill the street light owner.
- 1.9 Street lights shall be installed per the requirements of EWEB, as stated herein, and the National Electrical Safety Code (NESC).
- 1.10 Owner of street light or its qualified contractor can disconnect the street light on Customer side of the electric service connection.

- 1.11 Owner of street light or its qualified contractor can connect the street light on Customer side of the electric service connection. If permanent connection is required on the EWEB side of the electric service connection, call EWEB at 541-685-7457.
- 1.12 Notify EWEB at 541-685-7522 of all new street light installations, or any modifications to existing street light installation. EWEB does not require notification if the modification is replacing like for like such as replacing the existing bulb with a bulb of the same type and wattage, replacing the mast arm with one of the same length, or replacing the existing fixture with the same fixture type and size, etc.

1.0 REFERENCE STANDARDS

- A Refer to EC6-1.0500 L-4 Security Light Installation for installation of EWEB owned L-4 security lights and for connection material needed to transfer an existing street light to a new pole.

DISTRIBUTION CONSTRUCTION STANDARD EUGENE WATER & ELECTRIC BOARD - EUGENE, OREGON		
STREET LIGHT INSTALLATION REQUIREMENTS	Approved Nov 8, 2022 EC6-1.1000 Page 5 of 5	REV 1