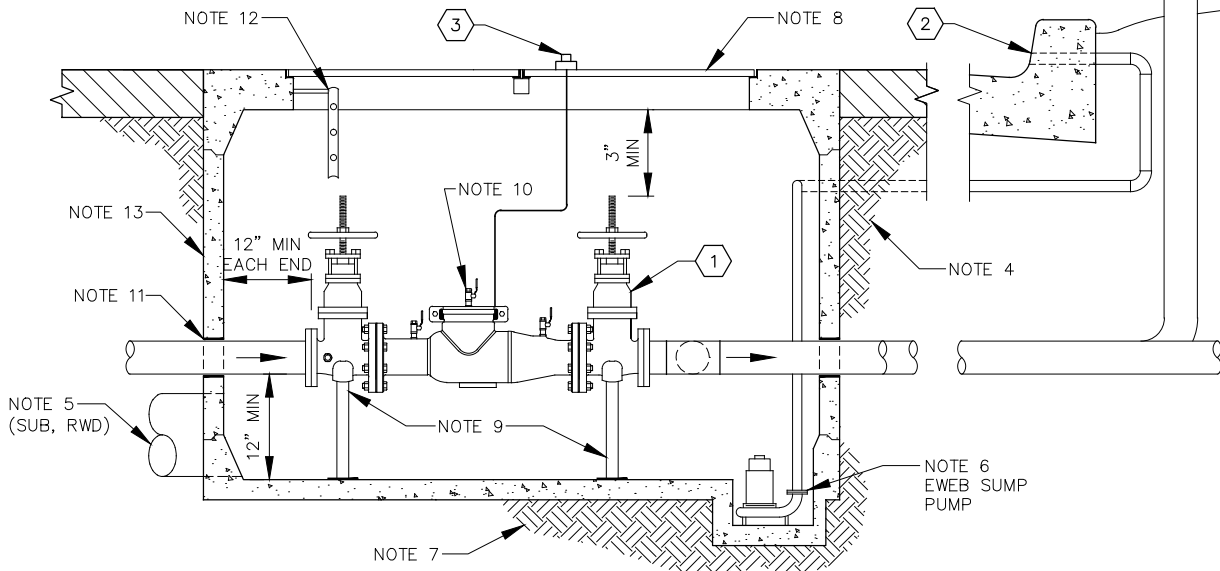


PLAN



ELEVATION

- ① APPROVED DETECTOR DOUBLE CHECK VALVE ASSEMBLY INCLUDING FACTORY SUPPLIED SHUT-OFF VALVES: AS LISTED ON THE CURRENTLY APPROVED BACKFLOW PREVENTION ASSEMBLIES LIST SPECIFIED BY OREGON HEALTH AUTHORITY.
- ② CURB CUT REQUIRES A PERMIT. CITY STANDARDS APPLY.
- ③ REMOTE READER, METER REGISTER AND TOUCH PAD PROVIDED BY EWEB.

PLUMBING FROM THE CONNECTION TO POTABLE WATER SUPPLY LINE TO THE ASSEMBLY REQUIRES A PLUMBING PERMIT AND MUST BE INSPECTED BEFORE COVERING.

SERVICE TAPS CANNOT ALWAYS BE INSTALLED AT A LOCATION DESIRED BY THE CUSTOMER BECAUSE OF UNDERGROUND OBSTACLES THAT BECOME KNOWN ONLY AFTER EXCAVATION FOR THE INSTALLATION OF THE SERVICE TAP. AS A RESULT, EWEB REQUIRES THAT THE SERVICE TAP BE INSTALLED BEFORE THE CUSTOMER INSTALLS ANY VAULTS.

AN INITIAL TEST PERFORMED BY A STATE CERTIFIED BACKFLOW ASSEMBLY TESTER IS REQUIRED AT THE TIME OF INSTALLATION, AT LEAST ANNUALLY THEREAFTER OR MORE FREQUENTLY AS REQUIRED BY WATER SUPPLIER.

COPIES OF COMPLETED TEST REPORT SHALL BE FURNISHED TO:  
 THE OWNER  
 THE WATER SUPPLIER, EWEB  
 THE BUILDING OFFICIAL

CITY OF EUGENE BUILDING AND PERMITS REVIEW - SR				<b>WATER STANDARDS</b> <b>REGIONAL DESIGN STANDARDS</b> <b>AMES SS/SE DETECTOR DOUBLE CHECK VALVE ASSEMBLY</b> <b>2 1/2" - 10" BELOW GROUND</b>  EUGENE WATER & ELECTRIC BOARD - EUGENE, OREGON				SCALE: NTS			
FUNC	BY	CHK	APP					REV DATE	BY	CHK	APP
DES	SLW		SLW					05/21/09	ESR		
DWN	RS		SLW					REMOVED SUB & RWD			
SPONSOR		SLW						DWG NO		REV	
DATE: 01/01/95				WD6-6.5730		3					
				1 of 2							

NOTES:

1. DETECTOR DOUBLE CHECK VALVE ASSEMBLY (DDC) VAULT OR ENCLOSURE SHALL BE INSTALLED NO MORE THAN 10 FEET FROM POINT OF CONNECTION, OR IN AN ALTERNATE LOCATION APPROVED BY EWEB.
2. DDC MAY BE INSTALLED VERTICALLY, PROVIDED THAT THE DDC IS:
  - a. RECOMMENDED BY THE MANUFACTURER FOR VERTICAL INSTALLATION
  - b. APPROVED IN A VERTICAL ORIENTATION AS LISTED ON THE CURRENTLY APPROVED BACKFLOW PREVENTION ASSEMBLIES LIST SPECIFIED BY OREGON HEALTH AUTHORITY.
3. ALL CLEARANCES PICTURED APPLY TO OUTSIDE, IN-BUILDING, AND VERTICAL INSTALLATIONS.
4. DDC INSTALLED BELOW GROUND IS PROTECTED FROM FREEZING DUE TO LOCAL SOIL TEMPERATURE.
5. EWEB REQUIRES VAULT INSTALLATION TO HAVE A SUMP PUMP AND HIGH WATER ALARM NEAR THE MAIN ALARM PANEL (EACH WIRED TO A SEPARATE CIRCUIT) IN THEIR SERVICE AREA. TEMPORARY DEWATERING OF VAULT IS REQUIRED UNTIL PERMANENT SUMP PUMP AND HIGH WATER ALARM ARE INSTALLED. ALTERNATIVES MAY INCLUDE:
  - a. DRY WELL (2 CUBIC YARD MINIMUM) MUST BE APPROVED BEFORE CONSTRUCTION
7. COMPACTED GRAVEL OR UNDISTURBED BASE.
8. HATCH, MINIMUM 3' X 3', SPRING ASSISTED, GALVANIZED OR ALUMINUM DIAMOND PLATE.
  - a. IF VAULT IS IN A PEDESTRIAN TRAFFIC AREA, METAL SURFACES SHALL HAVE FACTORY APPLIED NON-SKID COATING.
9. DDC 2 1/2" OR LARGER SHALL HAVE VALVE SUPPORTS.
10. DDC INSTALLED BELOW GROUND LEVEL SHALL HAVE WATERTIGHT PLUGS OR CAPS INSTALLED ON THE TEST PORTS.
11. WATERTIGHT GROUT SHALL BE USED TO SEAL OPENINGS.
12. IF VAULT DEPTH EXCEEDS 4', USE OSHA APPROVED FIXED LADDER.
13. REINFORCED CONCRETE VAULT (ASTM C-875).
14. FIRE DEPARTMENT PUMPER CONNECTION (IF NEEDED) SHALL COMPLY WITH LOCAL FIRE CODE.

ADDITIONAL CONSIDERATIONS FOR FIRE SERVICES:

1. FIRE SERVICE ASSEMBLIES SHALL BE INSTALLED WITHIN 10' OF EWEB POINT OF CONNECTION (GENERALLY LOCATED AT THE PROPERTY LINE) AND SHALL BE DIRECTLY INLINE WITH SERVICE TAP LOCATION SUCH THAT THE POINT OF CONNECTION IS INLINE WITH ASSEMBLY.
2. ALL PIPING PRECEDING THE DOUBLE CHECK VALVE SHALL BE CONSTRUCTED OF POTABLE APPROVED MATERIAL PER OPSC TABLE 6-4
3. NO OUTLETS OR CONNECTIONS (INCLUDING HYDRANTS) WILL BE PERMITTED ON FIRE SERVICE LINES PRIOR TO BACKFLOW PREVENTION ASSEMBLIES.
4. ABOVE GROUND ENCLOSURES FOR FIRELINES SHALL INCLUDE INSULATION AND/OR HEAT SOURCE DESIGNED TO KEEP ENCLOSURE AT A MINIMUM TEMPERATURE OF 40 F (NFPA 8.16.4.1.3)
5. WHERE NON-FOOD GRADE ANTIFREEZE, CORROSION INHIBITORS, OR OTHER CHEMICALS ARE ADDED TO A FIRE PROTECTION SYSTEM A REDUCED PRESSURE BACKFLOW ASSEMBLY OR REDUCED PRESSURE DETECTOR ASSEMBLY SHALL BE USED.

REFERENCE: OREGON PLUMBING SPECIALTY CODE, CHAPTER 6 WATER SUPPLY AND DISTRIBUTION, 603.4.6.3; 603.4.6.4; 603.3.3; 603.3.4; 603.3.8; 603.4.18.3; TABLE 6-4  
 REFERENCE: OREGON ADMINISTRATIVE RULES 333-061-0070 (5) (12) (15); 333-061-0071 (9)  
 REFERENCE: OREGON ADMINISTRATIVE RULES CHAPTER 437, DIVISION 2, 1910.27

CITY OF EUGENE BUILDING AND PERMITS REVIEW - SR								
FUNC	BY	CHK	APP	<b>WATER STANDARDS</b> <b>REGIONAL DESIGN STANDARDS</b> <b>AMES SS/SE DETECTOR DOUBLE CHECK VALVE ASSEMBLY</b> <b>2 1/2" - 10" BELOW GROUND</b>  EUGENE WATER & ELECTRIC BOARD - EUGENE, OREGON	SCALE: NTS			
DES	SLW		SLW		REV DATE	BY	CHK	APP
DWN	RS		SLW		1-11-17	ESR		
SPONSOR		SLW			REMOVED SUB & RWD			
DATE: 01/01/95					DWG NO		REV	
				WD6-6.5730		3		
				2 of 2				