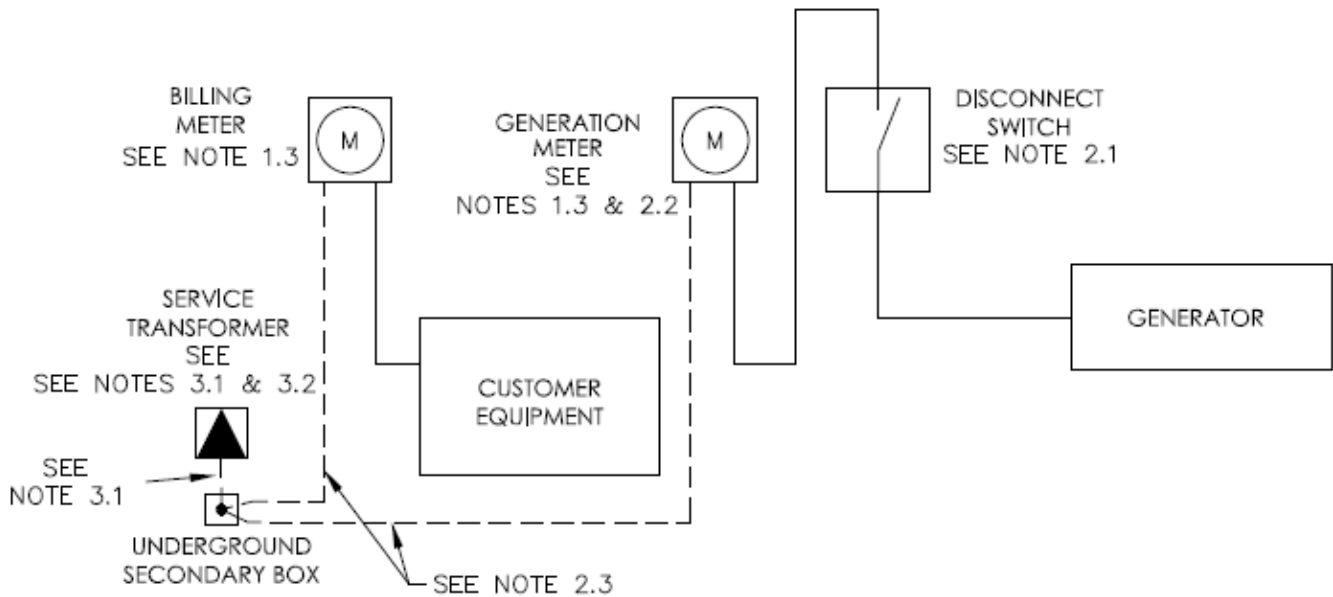


NET METERED SERVICE

SEE NOTE 1.1



GENERATION SERVICE

SEE NOTE 1.2

DISTRIBUTION CONSTRUCTION STANDARD
EUGENE WATER & ELECTRIC BOARD - EUGENE, OREGON

UNDERGROUND CUSTOMER GENERATION SERVICE REFERENCE

Approved Mar 10, 2023

EC5-0.6500

REV
3

Page 1 of 3

1.0 DEFINITIONS:

- 1.1 Net metered type of customer generation facility is intended primarily to offset part or all the customer's requirements for electricity. A separate service is not required.
- 1.2 Generation type of customer generation facility is configured to deliver all the output to the EWEB distribution system instead of offsetting building load. The generation system requires a separate meter and service.
- 1.3 Meter symbol represents a meter or CT's depending on service size.

2.0 CUSTOMER REQUIREMENTS:

- 2.1 Disconnect switch shall be located within 5 feet of meter and is customer owned and maintained. A disconnect switch is not required if the generation system meets all of the following conditions:
 - 2.1.a Inverted based and UL1741-certified anti-islanding.
 - 2.1.b AC output is 25 kW or less.
 - 2.1.c Service is less than 600 volts and metered with a self-contained meter. A disconnect switch is required for all generation systems connected to CT metered services.
- 2.2 Generation meter shall be located within 5 feet of the billing meter. A customer may have more than one generation meter and service if the customer has generation systems installed in different years with different rates. The Solar Electric Generation Purchase Rate is calculated each year.
- 2.3 Service conductors shall be provided by customer and sized per the National Electrical Code.

3.0 EWEB DESIGN NOTES:

- 3.1 Transformer and secondary conductors shall be sized to carry the larger of either the customer load or the output of the generation system.
- 3.2 For generation type customer generation systems connected to an open delta transformer bank:
 - 3.2.a If the generation system is single phase, the KVA of the smaller (power) transformer shall be sized to carry the entire generation system output.
 - 3.2.b If the generation system is unbalanced 3 phase, the KVA of the small (power) transformer shall be sized to carry the generation phase with the largest output.
 - 3.2.c If the generation system output is balanced 3 phase, the KVA of the smaller (power) transformer shall be sized to carry 58% of the generation 3 phase output.

4.0 REFERENCE STANDARDS:

- A Refer to EC4-0.6500 for Overhead customer generation service reference.
- B Refer to EC5-A.8000 for Interconnection requirements for customer generation facilities of less than 200 KW.
- C Refer to EC5-B.1000 for Underground service conduit and conductor requirements.